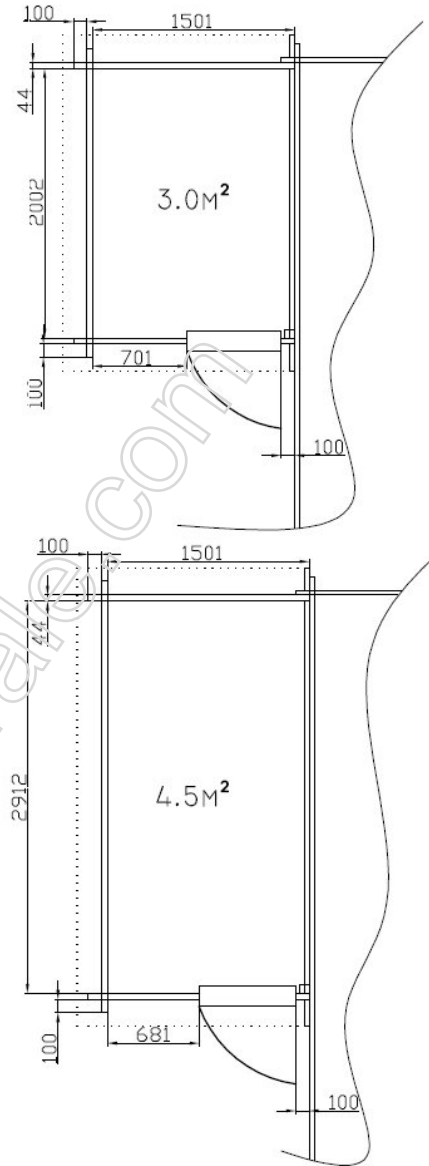


1520(35)
 1530(35)
 1520(44)
 1530(44)

Annex 1.50*2,00m and 1.50*3.00m. Wall thickness 35,44mm with double plank profile from pine or fir wood. All wooden constructions are dried until 10-12%, without painting and impregnation. Door with lock.

- floor planks 22mm
- underground 100*35, 50*35mm
- roof planks 19mm
- rafter 140*44mm

All height 2.00m, wall height 1.55m, roof angle 13°



Annex for left or right side

